

# KS89POE

Product family	Hood
Hood Type	Decorative wall hood
Design	Chimney
Extraction	Extraction
Material	Painted material
Type of steel	Brushed
EAN code	8017709211882
Hood width	90 cm



## Aesthetics

Aesthetic Colour	Coloniale Cream	Components finishing Logo	Antique brass Applied
------------------	-----------------	---------------------------	-----------------------


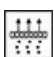
## Controls

Control setting	Control knobs	Control knobs	Colonial
No. of controls	2	Controls colour	Old Brass

## Programme / Functions

No. of speeds	3
Intensive speed	

## Technical Features

 			
No. of lights	2	No. of filters	3
Light type	LED	Anti-grease filters	Stainless steel
Light Power	1 W	Vent outlet	150 mm
Light color temperature scale (°K)	3000 °K	Minimum distance from GAS hob	750 mm
Free outlet maximum capacity	820 m <sup>3</sup> /h	Minimum distance from ELECTRIC hob	650 mm
Motor power	275 W	Non return valve	Yes

	Extraction rate IEC 61591 [m <sup>3</sup> /h]	Noise level IEC 60704-2-13 [dB(A)]
Speed 1	331	52
Speed 2	439	57
Speed 3	547	63
Intensive speed	788	71

## Performance / Energy Label

A

Annual Efficiency Consumption (AEChood)	55 kWh/a	Airbourne acoustical A-weighted sound Power Emission at minimum speed (SPEmin)	52 dB(A)
Energy efficiency class (EEC)	A	Airborne acoustical A-weighted sound Power Emission at maximum speed (SPEmax)	63 dB(A)
Fluid Dynamic Efficiency (FDE)	31	Airbourne acoustical A-weighted sound power emission at boost speed (SPEboost)	71 dB(A)
Fluid Dynamic Efficiency class (FDEC)	A	Time increase factor (F)	0.9
Lighting Efficiency (LE)	90.9 lux/W	Energy Efficiency Index	51.9
Lighting Efficiency Class (LEC)	A	Measured air flow rate at best efficiency point (Qbep)	406 m <sup>3</sup> /h
Grease Filtering Efficiency (GFE)	80.1 %	Measured air pressure at best efficiency point (Pbep)	449 Pa
Grease Filtering Efficiency Class (GFEC)	C	Measured electric power input at best efficiency point (Wbep)	164 W
Air flow at minumum speed (Qmin)	331 m <sup>3</sup> /h	Nominal Power consumption of the light system (WL)	2 W
Air flow at maximum speed (Qmax)	547 m <sup>3</sup> /h	Average illumination of the light on the cooking surface (Emiddle)	200 lux
Air flow at boost speed (Qboost)	788 m <sup>3</sup> /h	Sound power level at highest setting (Lwa)	63 dB(A)

## Electrical Connection

Electrical connection rating	277 W	Frequency (Hz)	50-60 Hz
Voltage	220-240 V	Power supply cable length	1000 mm

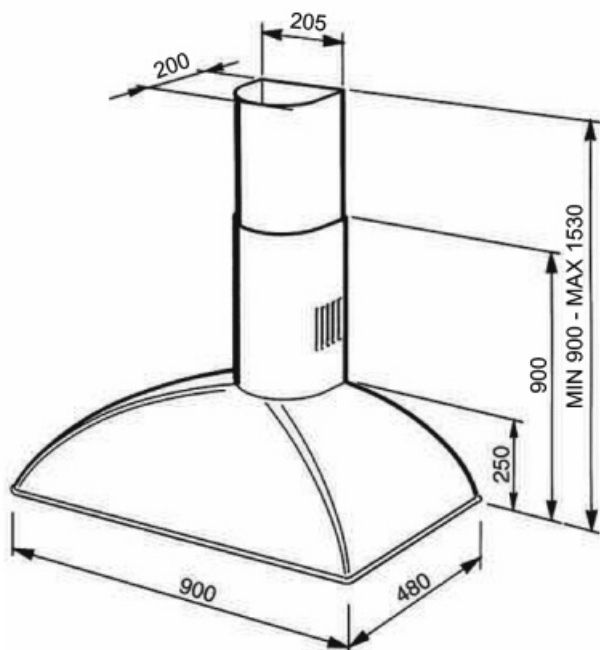
## Also available

Alternative colours  
available

Anthracite, Gunmetal,  
Copper

Available colours

KS89PE-KS89DE-  
KS89RAE-KS89AE-  
KSE89AOE



## Not included accessories

---



### FLT6

Round Charcoal filters (kit 2 pieces)



### KITALLFC

Universal Charcoal filter Stainless Steel AISI 304 The filter can be washed in dishwasher 50 °C (water and suitable detergent) and to dry it put in the oven 180°C 25 minutes

---

## Symbols glossary (TT)

---



**Filters:** Model has filters to help remove grease from the steam emanating from the pans during cooking.



**Lights:** All cooker hoods feature lights to illuminate the cooking area or add to the ambience of the kitchen.



**A:** Product drying performance, measured from A+++ to D / G depending on the product family



**Intensive/turbo setting:** when extra fast extraction is required.